

Q-LON POLYURETHANE FOAM SEALS: FOR INTERNAL DOORS/FURNITURE

QL 3137

TECHNICAL SPECIFICATION

A Seal gap: 3,0 mm minimum to 4,5 mm maximum

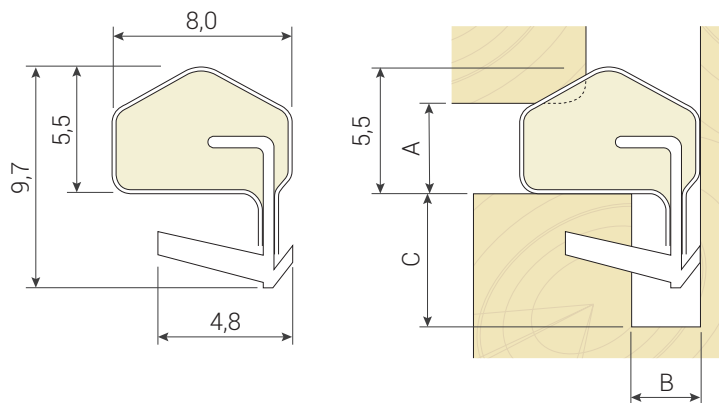
B Groove width: 3,0 – 4,0 mm nominal

C Minimum groove depth: 6,5 mm

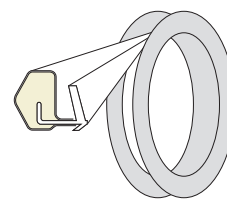
Rebate dimension: 8,0 mm

PACKAGING

250 m x 2



Coil direction



Colours (≈ RAL)



Other colours upon request

07/2019 - V02

